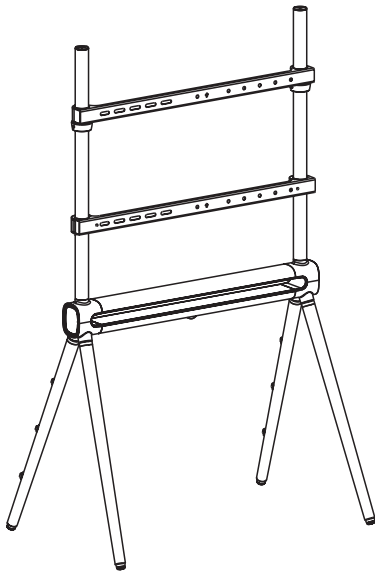




---

## Wood Easel Studio TV Stand with RGB Light

### Instruction Manual



**SKU: STAND-TV70D**



Scan the QR code with your mobile device or follow the link for helpful videos and specifications related to this product.

<https://vivo-us.com/products/stand-tv70d>

---

GET IN TOUCH | Monday-Friday from 7:00am-7:00pm CST



help@vivo-us.com



www.vivo-us.com  
*Chat live with an agent!*



309-278-5303

# ⚠️ WARNING!

If you do not understand these directions, or if you have any doubts about the safety of the installation, please call a qualified technician. Check carefully to make sure there are no missing or defective parts. Improper installation may cause damage or serious injury. Do not use this product for any purpose that is not explicitly specified in this manual. Do not exceed weight capacity. We cannot be liable for damage or injury caused by improper mounting, incorrect assembly or inappropriate use.

## ⚠️ TIPOVER WARNING

SERIOUS OR FATAL CRUSHING INJURIES CAN OCCUR FROM TIPOVER. TO HELP PREVENT TIPOVER:

- NEVER ALLOW CHILDREN TO CLIMB, STAND, HANG, OR PLAY ON ANY PART OF TV OR TV STAND.
- USE TIPOVER RESTRAINT OR ANCHOR STAND TO WALL

**USE OF TIPOVER RESTRAINTS MAY ONLY REDUCE, BUT NOT ELIMINATE RISK OF TIPOVER.**

## PACKAGE CONTENTS



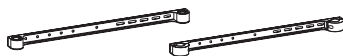
**A (x1)**  
Base with RGB



**B (x4)**  
Leg



**C (x2)**  
Pole



**D (x1)**  
Upper VESA  
Bracket



**E (x1)**  
Lower VESA  
Bracket



**F (x6)**  
ST4.2x12  
Screw



**G (x6)**  
Cable Clip



**H (x1)**  
4mm Allen  
Wrench



**I (x1)**  
Remote



**J (x1)**  
Power Cord

**\*ONLY USED ON STAND-TV70D**



**P-A (x1)**  
Security  
Cable



**P-B (x2)**  
Security  
Clamp



**P-C (x2)**  
Security Cable  
Clamp



**P-D (x1)**  
2mm Allen  
Wrench



**P-E (x4)**  
ST4.8x38 Screw



**P-F (x4)**  
Concrete Anchor



**P-G (x2)**  
D5 Washer



**M-A (x4)**  
M5x14



**M-B (x4)**  
M6x14



**M-C (x4)**  
M6x30



**M-D (x4)**  
M8x30



**M-E (x4)**  
M8x50



**M-F (x4)**  
Square Washer



**M-G (x8)**  
5mm Spacer



**M-H (x8)**  
15mm Spacer

## TOOLS NEEDED

**NOTE: SOME HARDWARE INCLUDED MAY NOT BE USED**



**Phillips  
Screwdriver**



**Drill**



**Tape Measure**



**Level**



**Pencil**

# **! WARNING: CHOKING HAZARD**

SMALL PARTS - NOT FOR CHILDREN UNDER 3 YEARS. ADULT SUPERVISION IS REQUIRED.

DO NOT EXCEED WEIGHT CAPACITY.

88lbs  
(40kg)

Failure to do so may result in serious injury.

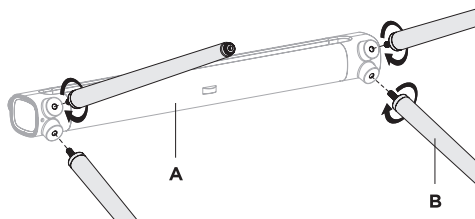
## **! CAUTION!**

DO NOT INSTALL INTO DRYWALL ALONE. VERIFY YOUR WALL CONSTRUCTION. USE WOOD STUDS TO MOUNT. We include mounting hardware for brick and concrete walls. If unsure, please contact us at vivo-us.com, email at help@vivo-us.com, or call us at 309-278-5303.

## ASSEMBLY STEPS

### STEP 1

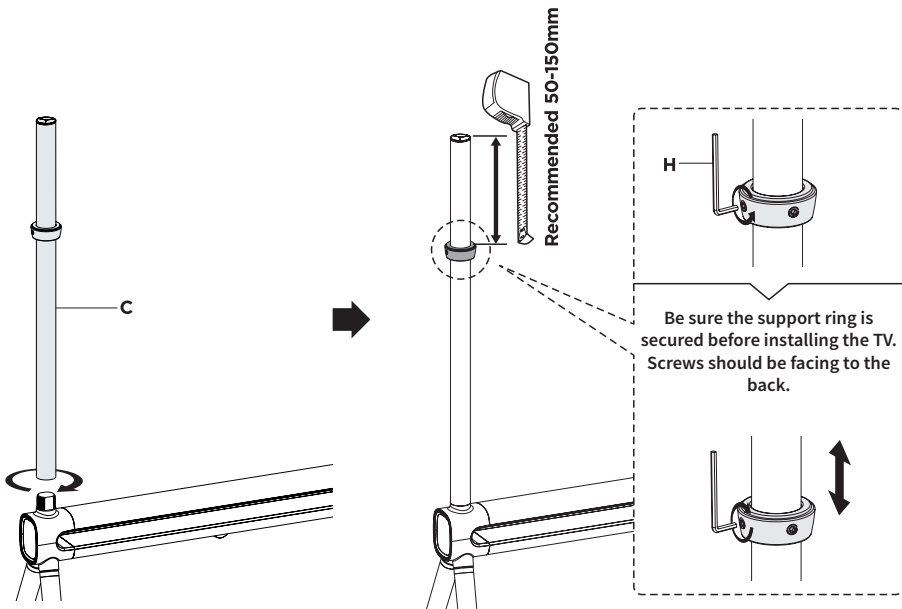
Screw the legs (B) into the base (A).



### STEP 2

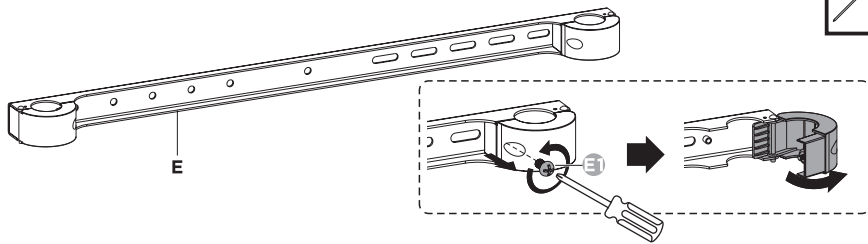
Screw the poles (C) onto the base (A). Loosen the support rings on the poles using the 4mm Allen wrench (H). Adjust the rings to hold the TV at the desired height, using a tape measure to ensure the rings are adjusted evenly, and tighten with the 4mm Allen wrench (H).

**NOTE:** Rings should be at least 2" below the tops of the poles.



### STEP 3

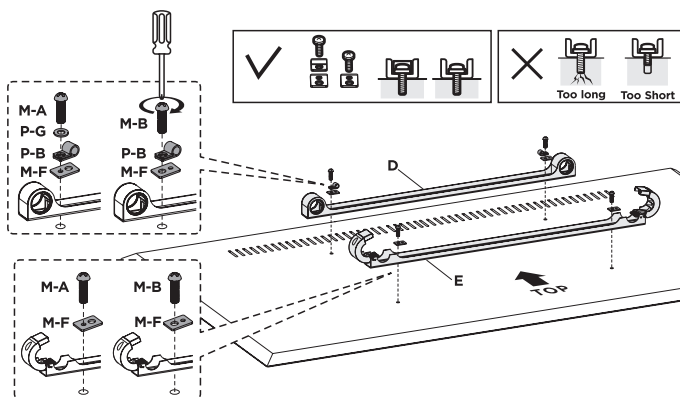
Remove the screws from the lower VESA bracket (E) and open the clamps.



### STEP 4

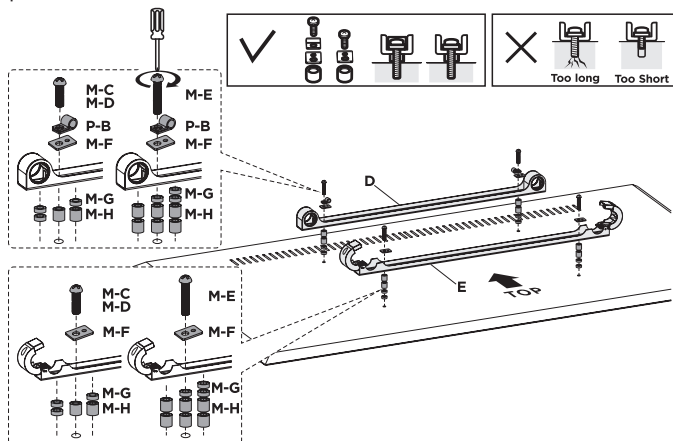
#### OPTION A: Flat Back TV

Position VESA brackets horizontally on the back of the TV, making sure upper VESA bracket (D) is on top and lower VESA bracket (E) is below. Secure using screws (M-A or M-B) with square washers (M-F) and D5 Washers (P-G), with security clips (P-B) installed to top holes.



#### OPTION B: Curved Back TV

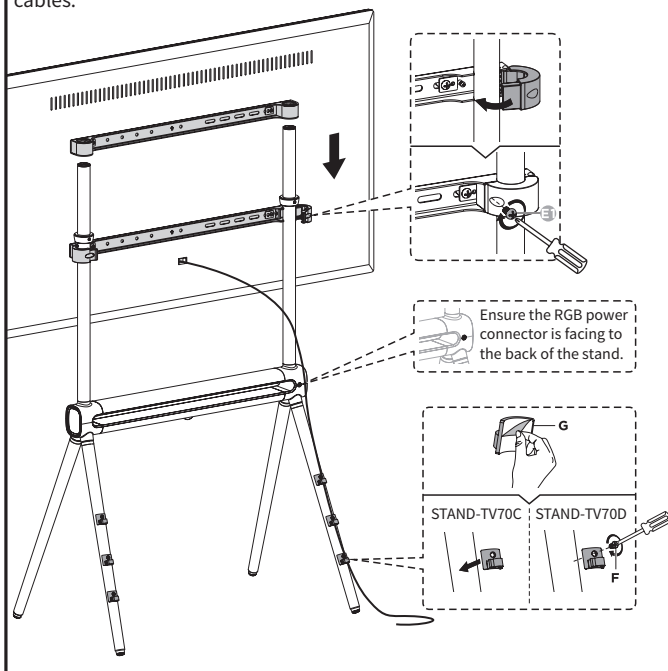
Position VESA brackets horizontally on the back of the TV, making sure upper VESA bracket (D) is on top and lower VESA bracket (E) is below. Secure using screws (M-C, M-D or M-E) with square washers (M-F) and spacers (M-G, M-H) with security clips (P-B) installed to top holes.



## STEP 5

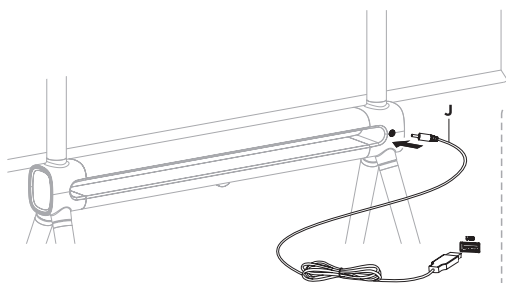
Slide the TV with VESA brackets (**D, E**) onto the poles. Close the clamps on the lower VESA bracket over the poles and secure with the previously removed screws.

Peel backing from the cable clips (**G**) and install clips on the rear legs. For STAND-TV70D, secure clips by threading ST4.2x12 screws directly into the wood legs. Use clips to organize cables.

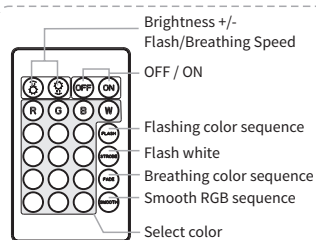


## STEP 6

Plug the power cable (**J**) into the RGB power connector in the frame (**A**), and connect the USB end to a USB port on the TV, a phone charger or other device.



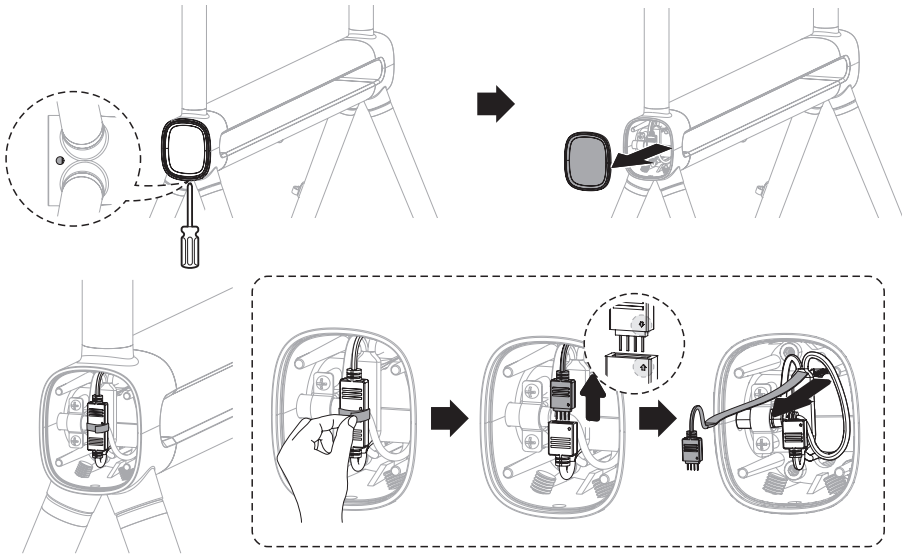
**Note:** The LED Lighting is powered by any 5V DC power supply including USB adapters that are included with most phones.



**Note:** Remove the battery's plastic insert before using the remote.

## STEP 6 (Continued)

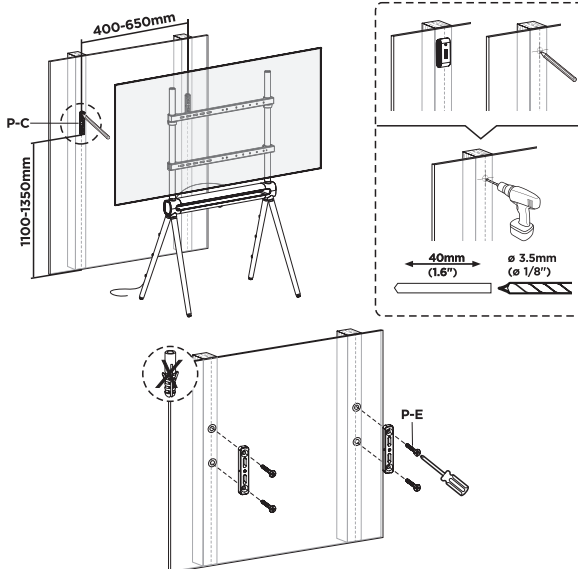
To connect to an external RGB controller, remove the screw on the underside of the base (**A**) holding the left side cover, then remove the cover. Remove the security tape from the RGB connector, then disconnect and pull out the cable. Connect the cable to the external RGB controller. Pin1 is indicated by a dot on the connector.

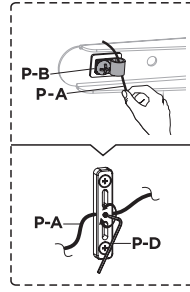
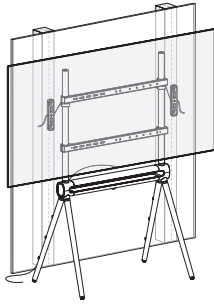


## STEP 7

### OPTION A: Wood Stud Wall

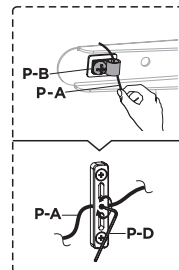
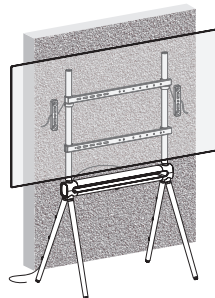
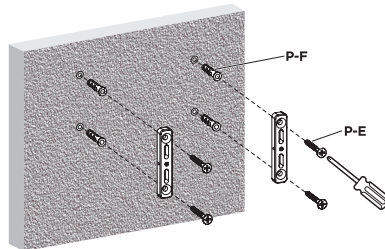
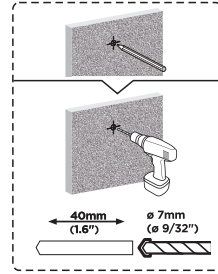
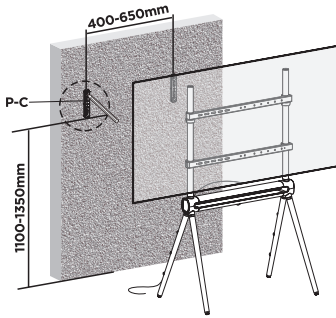
Using Security Cable Clamps (**P-C**) as guides, mark drilling locations on wall at the same height as the upper VESA bracket. Use of a stud finder is recommended. Drill holes at least 1.6" (40mm) deep using a 1/8" (3mm) drill bit. Mount clamps to wall using ST4.8x38 screws (**P-E**). Thread security cable (**P-A**) through security clips on TV and center holes in cable clamps as shown, then tighten clamps using the 2mm Allen wrench (**P-D**).






**OPTION B: Concrete/Brick Wall**

Using Security Cable Clamps (P-C) as guides, mark drilling locations on wall at the same height as the upper VESA bracket, spaced 400mm - 650mm (16" - 26") apart. Drill holes at least 1.6" (40mm) deep using a 9/32" (7mm) drill bit. Insert concrete anchors (P-F) into holes and mount clamps to wall using ST4.8x38 screws (P-E). Thread security cable (P-A) through security clips on TV and center holes in cable clamps as shown, then tighten clamps using the 2mm Allen wrench (P-D).



 Love your new VIVO setup and want to share?  
Tag us in your photo! [@vivo\\_us](#)

LAST UPDATED: 01/25/2021



Open **Monday - Friday 7:00am - 7:00pm** CST,

our dedicated support team can offer immediate assistance with rapid response times. If any parts are received damaged or defective, please contact us. We are happy to replace parts to ensure you have a fully functioning product.


 [help@vivo-us.com](mailto:help@vivo-us.com)

**AVG. RESPONSE TIME** (*within office hrs*): **1HR 8M**

- 23% within < 15m
- 38% within < 30m
- 61% within < 1hr
- 83% within < 2hr
- 92% within < 3hr

 [www.vivo-us.com](http://www.vivo-us.com)  
*Chat live with an agent!*

**AVG. RESOLUTION TIME** (*within office hrs*): **< 15 M**

 309-278-5303

**AVG. RESOLUTION TIME** (*within office hrs*): **5M 4S**

FOR MORE VIVO PRODUCTS, CHECK OUT OUR WEBSITE AT: [www.vivo-us.com](http://www.vivo-us.com)